

Microwave Transmitter Control Systems

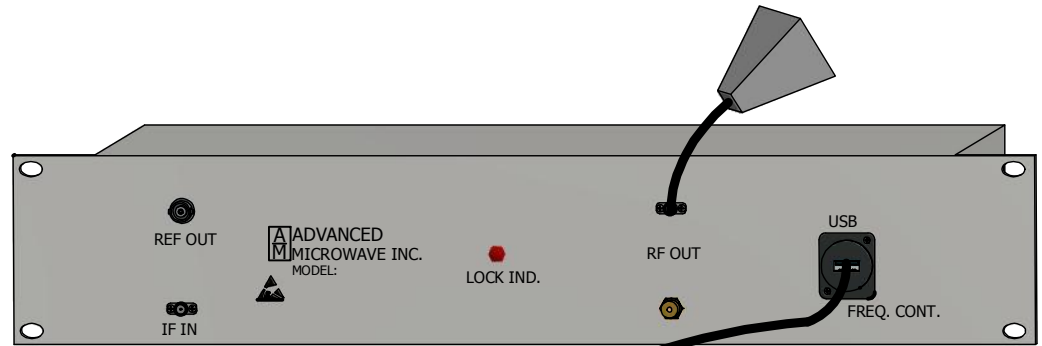
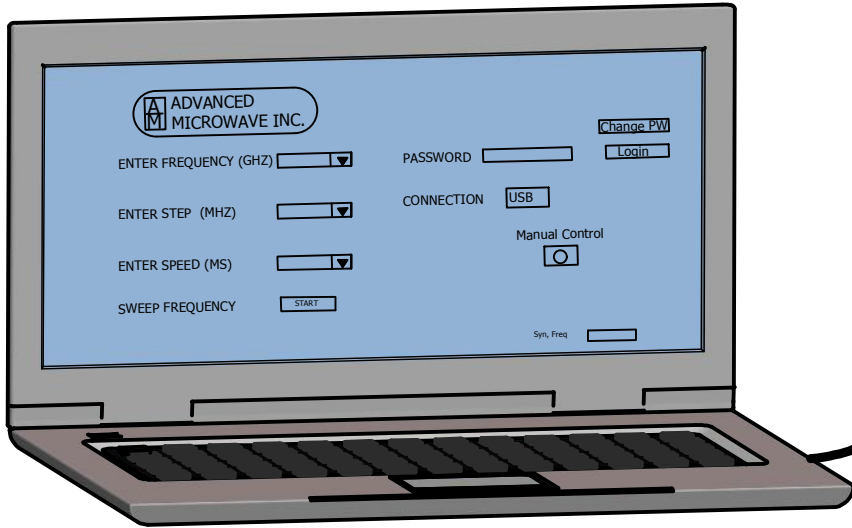
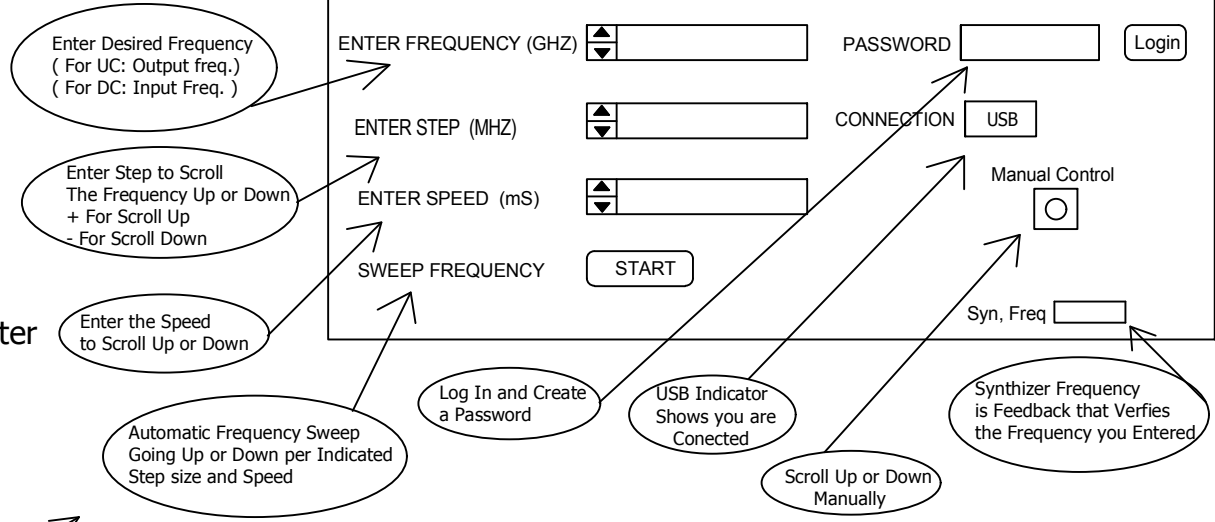
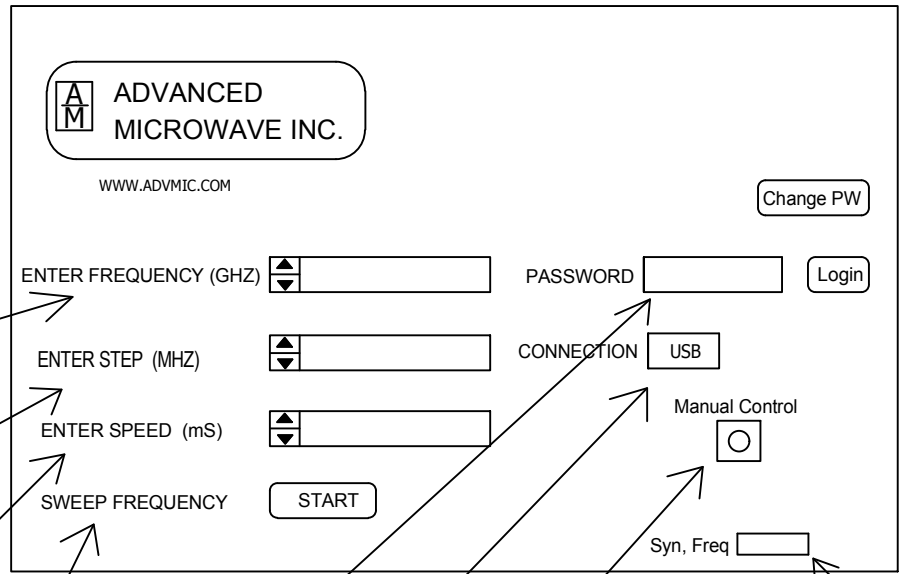
This system is easy to operate and is user friendly. Networking makes it possible to control the Transmitter via USB 3.0 directly to any computer, which makes the system very secure.


To set Transmit Frequency, you simply type the desired Frequency and then you can scroll up or down per set increment or scan up or down.

The Transmitter works with all computer Operating Systems.

No Ethernet connection is needed. However the computer can up/ or download the data by operator.

All Software & Hardware will be provided.
(Computer is not included)



CONTRACT NO.		 ADVANCED MICROWAVE INC. SUNNYVALE, CA	
DRAFTER	RW	DATE	03/18/19
DESIGNER		DATE	
QA		DATE	
CUSTOMER		SIZE	A
		FSCM NO.	
		DWG NO.	300264-13
		REV	A
SCALE		3-D	SHEET 1 OF 2