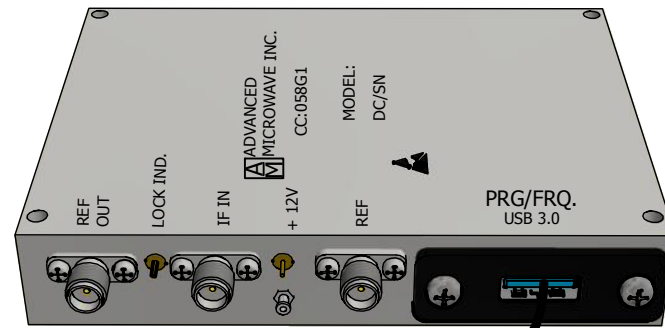
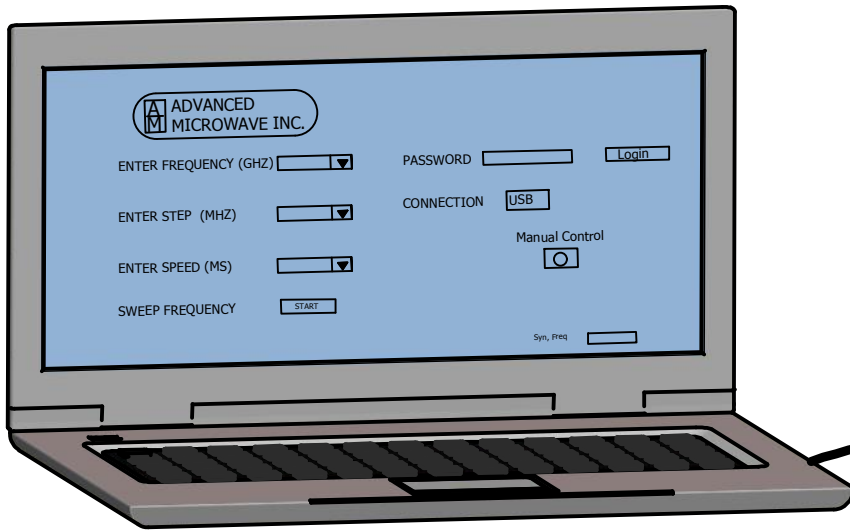
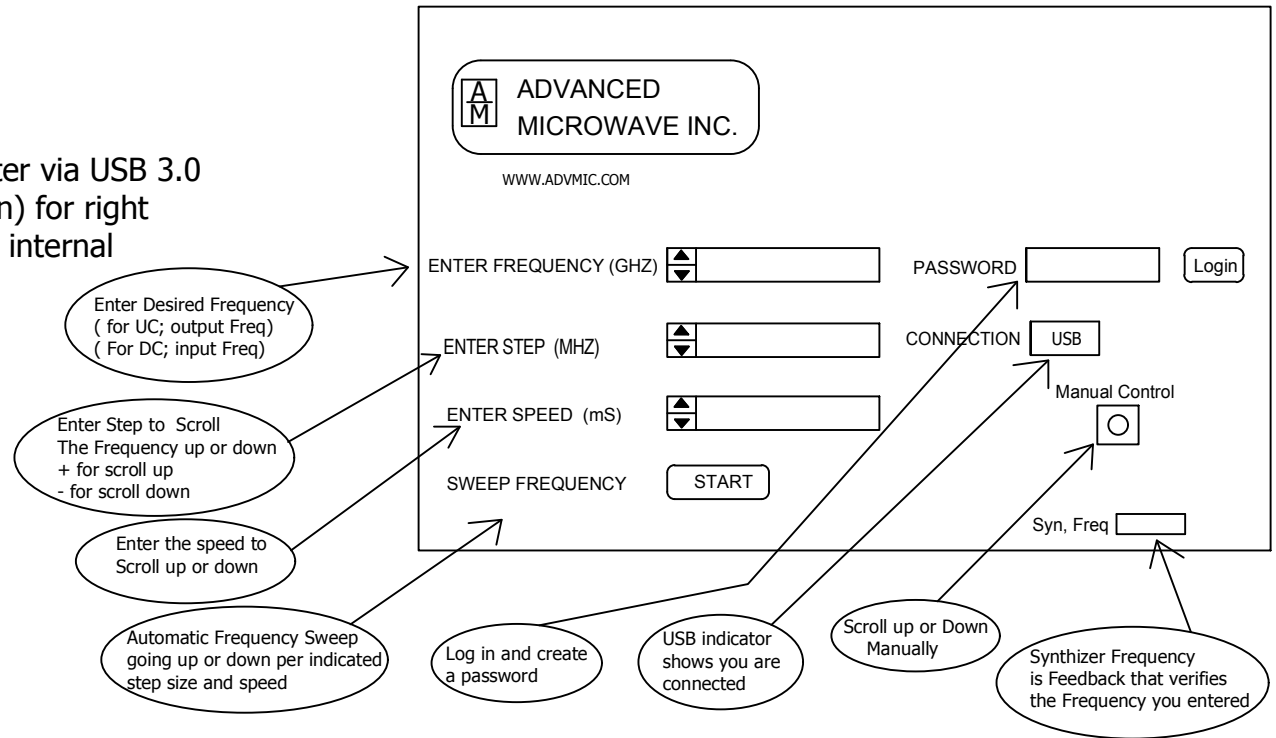



# Microwave Programmable Up Converter

This system is easy to operate and is user friendly. Networking makes it possible to control the Converter via USB 3.0 directly to any computer. You can scroll up (or down) for right RF frequency, with the accuracy of 0.05 PPM. using internal reference.

The Converter works with all computer Operating Systems.

No Ethernet connection is needed. All Software & Hardware will be provided. ( Computer is not included)



CONTRACT NO.		 <b>ADVANCED MICROWAVE INC.</b> SUNNYVALE, CA			
DRAFTER	RW				DATE
DESIGNER		DATE		TITLE	
QA		DATE		<b>UP CONVERTER NETWORKING</b>	
CUSTOMER		SIZE	FSCM NO.	DWG NO.	REV
		A		300264-12	
SCALE			3-D	SHEET	1 OF 2